

REV.	ECN NO.	LOCATIONS	DESCRIPTION	DATE	DESIGN
A0			NEW RELEASE	12/01'22	Derek

ORDERING INFORMATION

FDU1025D - XX (XX R)

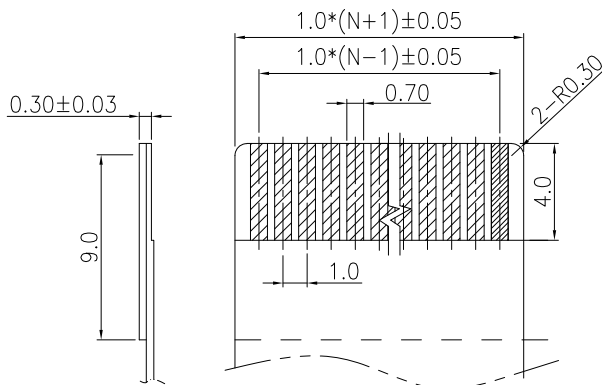
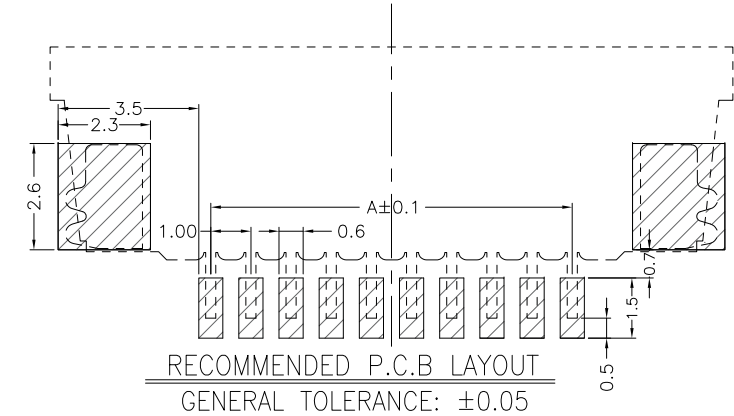
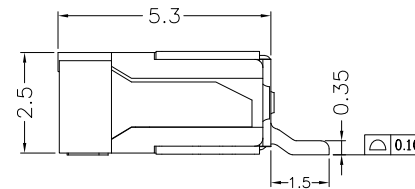
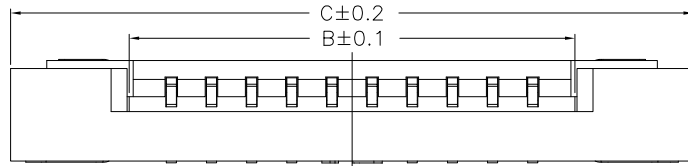
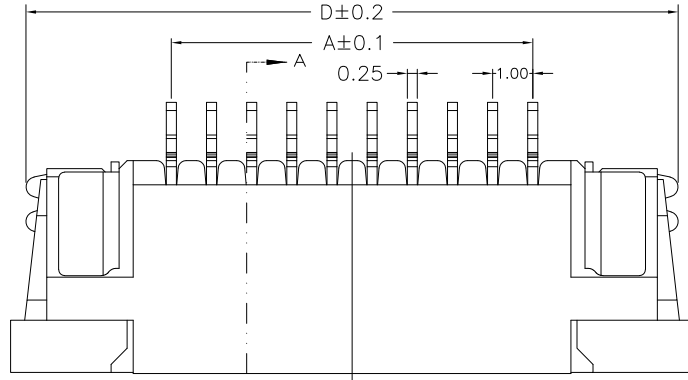
① ② ③

① **PRODUCT SERIES:**
FPC/FFC CONN- Drawer type
Pitch 1.0mm / Height 2.50mm
Top contact / SMT Type.

② **NUMBER OF CONTACTS:**
04~36.
③ **PLATING:**
00 : Tin plated
01 : Gold plated

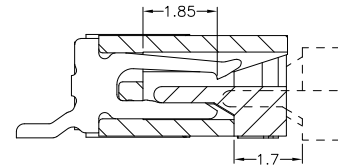
CUSTOMER DRAWING

RoHS Compliant



RECOMMENDED FPC/FFC DIMENSION

Pin NO.	DIMENSION			
	A	B	C	D
04	3.00	5.15	11.10	10.20
05	4.00	6.15	12.10	11.20
06	5.00	7.15	13.10	12.20
07	6.00	8.15	14.10	13.20
08	7.00	9.15	15.10	14.20
09	8.00	10.15	16.10	15.20
10	9.00	11.15	17.10	16.20
11	10.00	12.15	18.10	17.20
12	11.00	13.15	19.10	18.20
13	12.00	14.15	20.10	19.20
14	13.00	15.15	21.10	20.20
15	14.00	16.15	22.10	21.20
16	15.00	17.15	23.10	22.20
17	16.00	18.15	24.10	23.20
18	17.00	19.15	25.10	24.20
19	18.00	20.15	26.10	25.20
20	19.00	21.15	27.10	26.20
21	20.00	22.15	28.10	27.20
22	21.00	23.15	29.10	28.20
23	22.00	24.15	30.10	29.20
24	23.00	25.15	31.10	30.20
25	24.00	26.15	32.10	31.20
26	25.00	27.15	33.10	32.20
27	26.00	28.15	34.10	33.20
28	27.00	29.15	35.10	34.20
29	28.00	30.15	36.10	35.20
30	29.00	31.15	37.10	36.20
31	30.00	32.15	38.10	37.20
32	31.00	33.15	39.10	38.20
33	32.00	34.15	40.10	39.20
34	33.00	35.15	41.10	40.20
35	34.00	36.15	42.10	41.20
36	35.00	37.15	43.10	42.20



SECTION A-A

Note:

- Material
 - 1.1: Housing: High Temperature plastic, UL94V-0.
 - 1.2: Actuator: High Temperature plastic, UL94V-0.
 - 1.3: Contact: Copper Alloy.
 - 1.4: Fit: Copper Alloy.
- Plating
 - 2.1: Contact: Tin or Gold plated on contact area, Nickel under-plated overall.
 - 2.2: Fit: Tin over Nickel under-plated overall.

SUNFUN		SUNFUN TECHNOLOGY LTD			
DRAW NO.	FDU1025D(A0)	DATE	MATERIAL: SEE NOTES		DRAW NAME:
DESIGN:	Derek	12/01'22	FINISH: SEE NOTES		FPC CONN- Drawer type Pitch 1.0mm / Height 2.50mm Top contact / SMT Type.
CHECK:	Derek	12/01'22	FILE: FDU1025D(A0)		MODEL: P1.0 FPC CONN
REVIEW:	Eric	12/01'22	P/N: FDU1025D-XX(XXR)		UNIT: mm
APPROVED	Eric	12/01'22	REV. A0	SCALE	SHEET: 1/1

DIM	TOL
X	±0.25
X.X	±0.20
X.XX	±0.10
X.XXX	±0.05